

trust technology

Creativity & Perseverance

Technical information sheet
rev. 06/29/2019



protego
More than a cover

Your *Dehors* just a click away

- Open Cover
- Land occupancy 3 models: 3x3-4x4-5x5 sqm
- Weight 200 kg (stable during bad weather)
- It opens / closes in 1 minute with remote control
- It moves on 4 telescopic wheels inserted in the 4 poles that facilitate the movement and the opening / closing



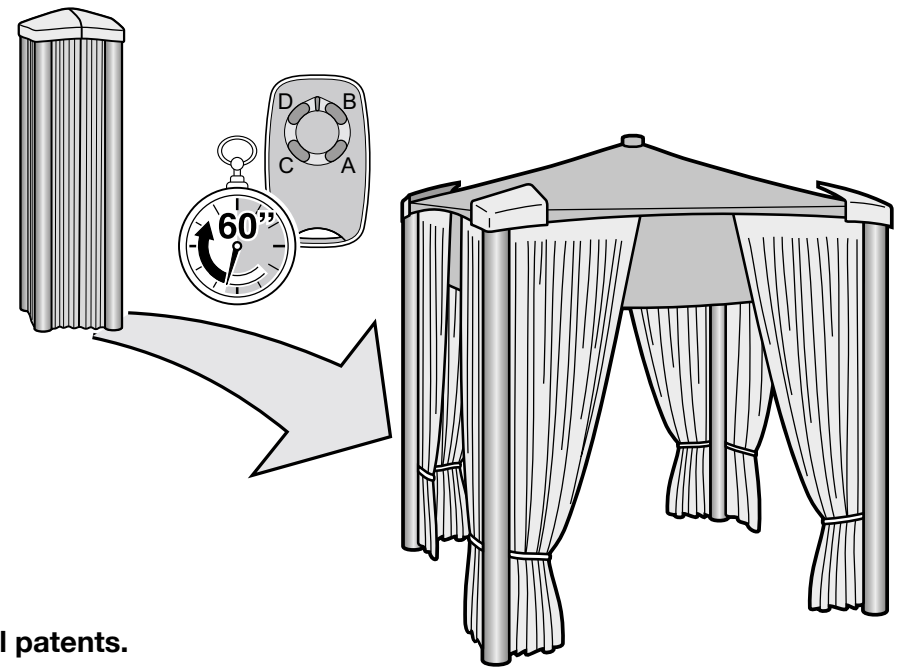
- Closed Cover
- Land occupancy 1x1 meters (as much as an umbrella)
- Minimum occupancy



Product synthesis

Description

Self-assembling intelligent structure, pre-assembled in the factory and called Protego. It is equipped with an independent central motor - positioned under the cover and powered by rechargeable batteries - connected to a system of levers that allow the complete opening and folding of the structure itself.

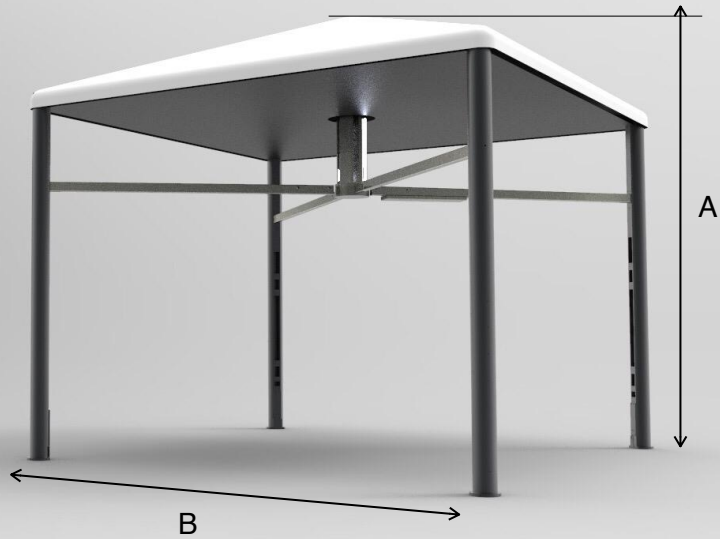




International patents.

Details

- Structure opening time: 60 seconds, with the help of a remote control;
- Assembly personnel: 1 person in charge;
- Pre-installed options: customizing the structure is possible with countless solutions. Simply contact Trusttechnology SA or your nearest representative to arrange it according to your wishes and needs.

Technical table



Structure models		Protego		
		3 x 3	4 x 4	5 x 5
Weight		185 kg	200 kg	215 kg
Structure models	A (hight)	3000 mm	3000 mm	3000 mm
	B (side)	3000 mm	4000 mm	5000 mm
	C (folded side)	800 mm	900 mm	1200 mm
Trasformer	Entrance	230 Vac - 50/60 Hz		
	Exit	24 Vcc / 350 VA		
Motori	Central	24 V / 15 A		
	Wheel extraction	24 V / 1,6 A		
Structure Colors	Paint: IGP-DURA [®] face 581 ME 71386 A10 ca. DB 703			
Fabrics	Texout [®] Precontraint 302* Color: white 8100		Nautical towel mod. Oyster (optional)	
				

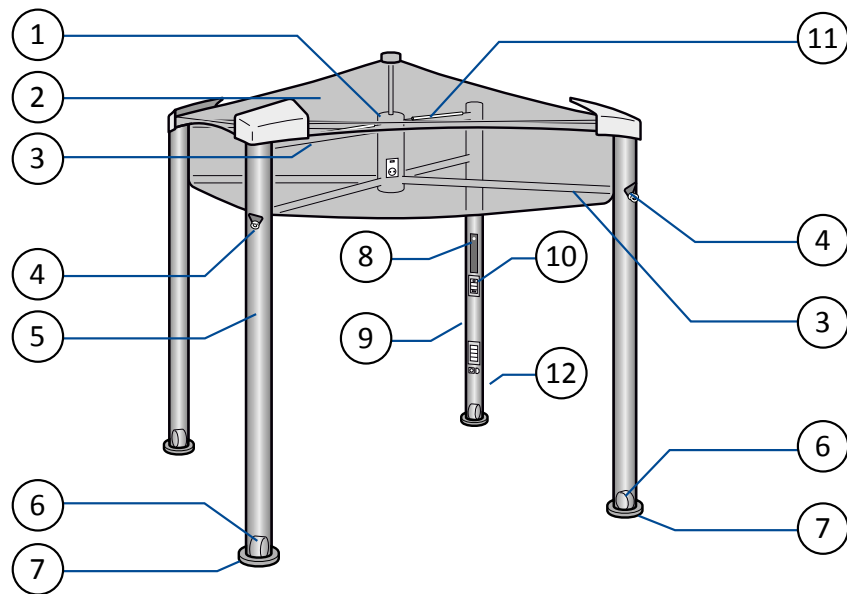
Type 550 Dtex polyester fabric treated with the FERRARI PRECONTRAI^T coating technique

Features: exceptional dimensional stability and mechanical strength. Perfectly flat surface and remarkable durability. Low weight that facilitates winding thanks to PRECONTRAI^T technology. Packaging without side reinforcements.

Smooth anti-stain coating. Innovative color range. Flame retardant according to Italian standards CL.2, German B1 and French M2. 5 year warranty.

Uses: high performance with arm awnings, canopies, gazebos and fixed structures.

Description of the structure



Protego is a motorized self-erecting structure, with a square base, designed to be used both outside and in covered spaces. Is composed by:

- | | | | |
|------------------------|--------------------|------------------------------|-----------------------|
| 1. Central unit | 4. Eyebolts | 7. Fixing rings | 10. Key switch |
| 2. Telo | 5. Pole | 8. Battery with light | 11. Lights |
| 3. Crosspiece | 6. Wheels | 9. Main pole | 12. Earthing |

It consists of an aluminum metal supporting structure, composed of a central unit with a 24-volt motor, which operates the diagonal opening and closing of four parallel-jointed arms.

At the ends of the arms the support poles are mounted, which in the lower part contain swivel wheels of about 75 millimeters in diameter. They are extracted to perform the opening, closing and translation movements of the structure and are made to retract once the positioning is obtained. The wheel extraction mechanisms are equipped with position sensors that allow the structure to be opened and closed only in the extracted position.

The poles are equipped with rings for anchoring to the ground. On the main one there is the key switch for the consent of the operation, the socket for the battery charging connector and other optional devices (such as the input socket for the heating supply with its relative switch, the HDMI input and output sockets, etc.). It also contains the 24-volt battery for powering both the motors and the control unit.

Also on the main pole is the connection for the Grounding (12).

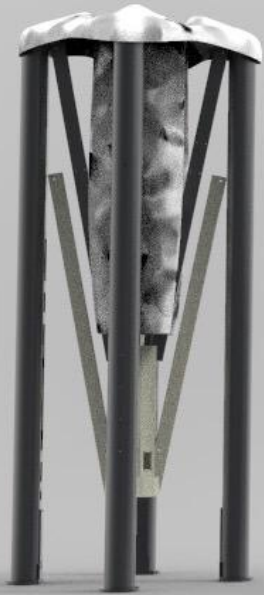
The frame is a powder coating, with the roof covered in highly resistant fabric.

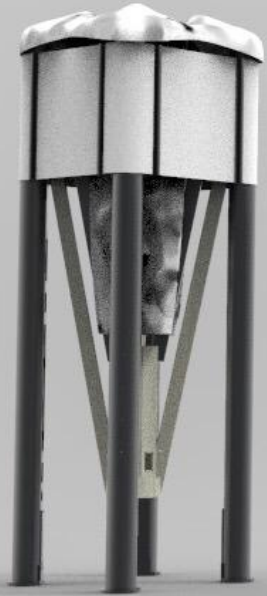
Opening and closing are controlled by a single operator via remote control.

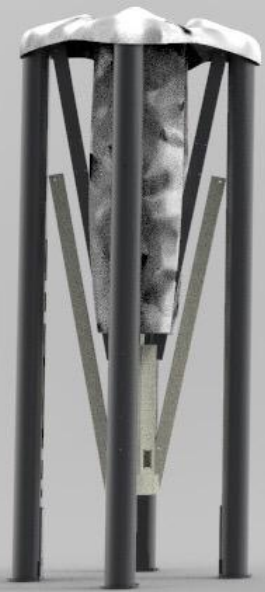
The various optional functions are managed by the controls located on the main pole.

Various options and settings are available, designed for different uses and uses: counter ceiling, curtains on one or more sides, walls, mosquito nets, LED lighting system, audio and video system, ventilation and air conditioning and heating system and other options.











Safety

The **Trusttechnology SA** company has done its utmost to manufacture **Protego** with the highest level of technical and operational knowledge, consulting all the directives and standards available to it.

Protego is constantly updated to include the latest news in terms of:

- easy to install and use;
- duration in time;
- quality of the materials used;
- safety;

For further details, refer to the **use and maintenance manual (Original Instructions)** for each **Protego** model as shipped from the factory.



Protego® is the intelligent self-assembling structure, the result of research by Trusttechnology, a Swiss company that holds the international patent. The incessant development, the continuous research of the best performing materials, the attention to the assembly's details, makes Protego® a beautiful product, easy to operate, light to live.

Trusttechnology

Trusttechnology SA

Via Laveggio 3, CH-6855 Stabio, Switzerland

M. +41 76 5438861

info@copertureamovibili.ch

www.copertureamovibili.ch